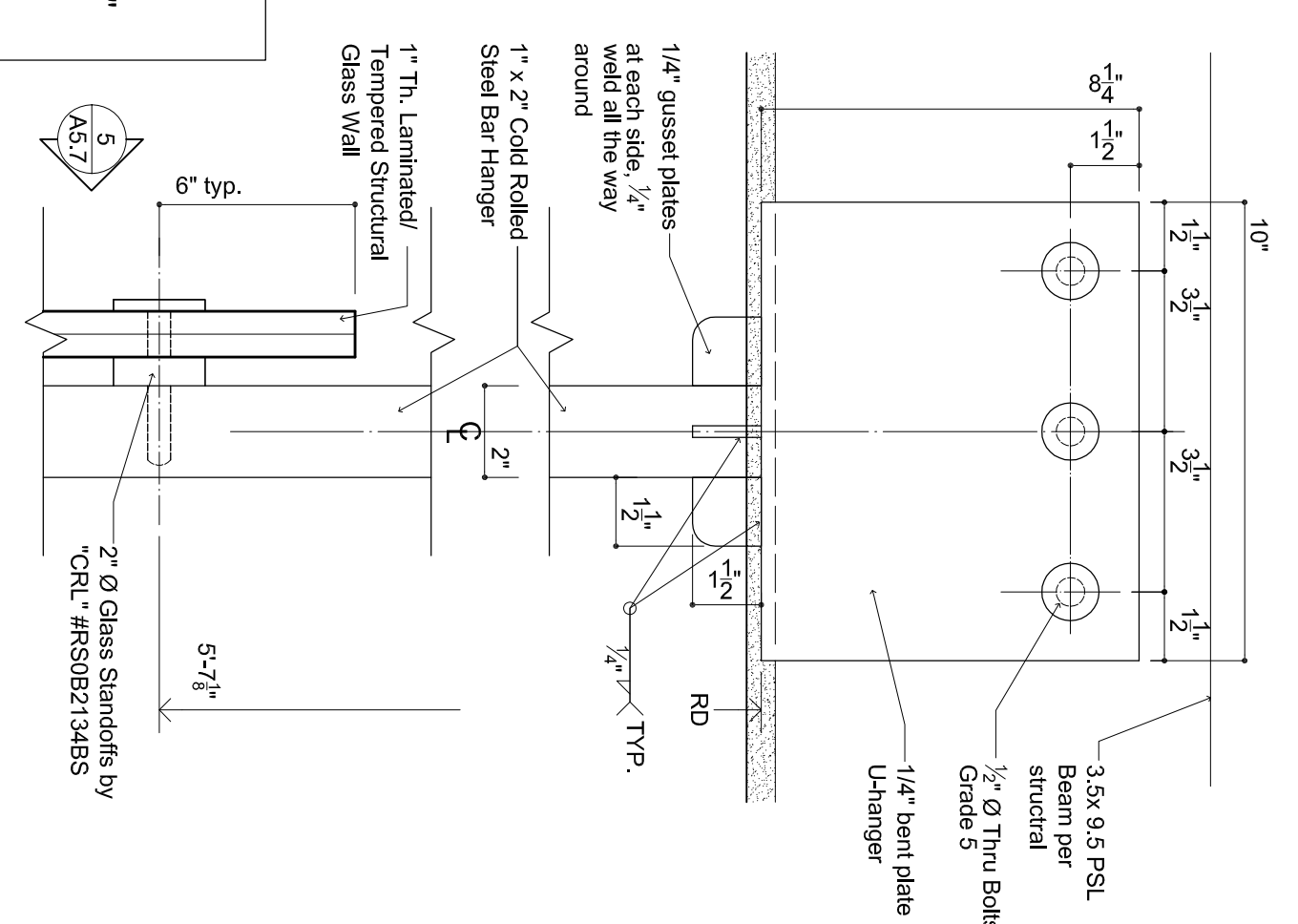
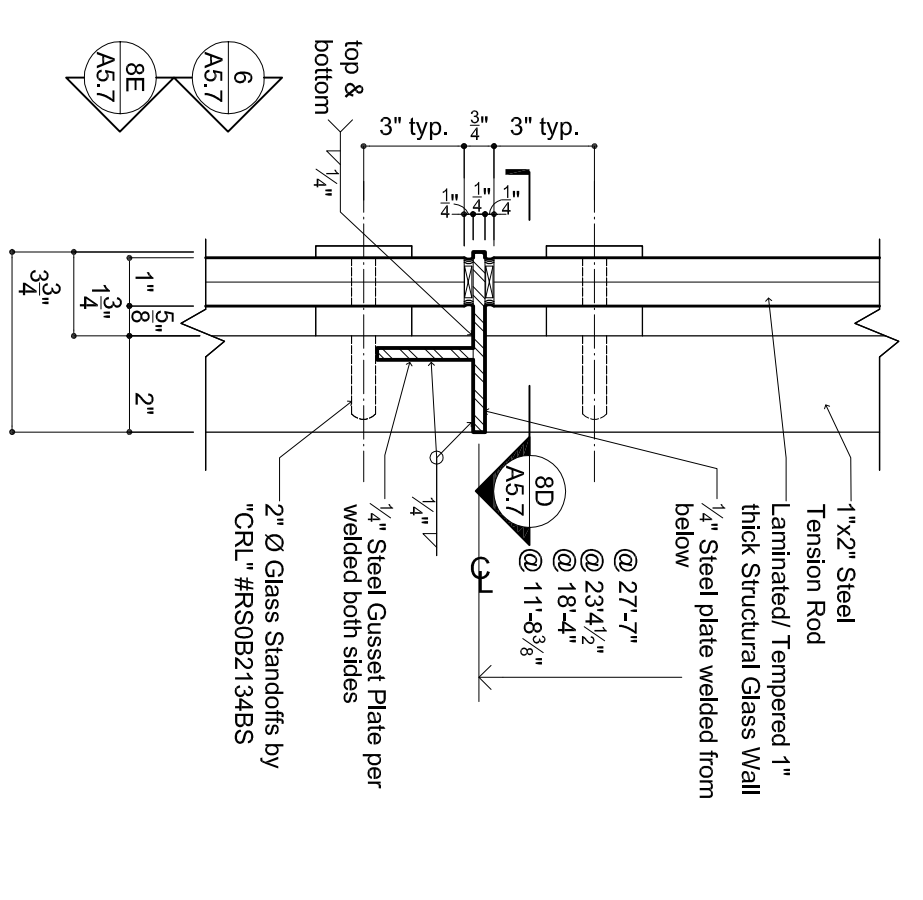


1 Stair Section
1/2" = 1'-0"

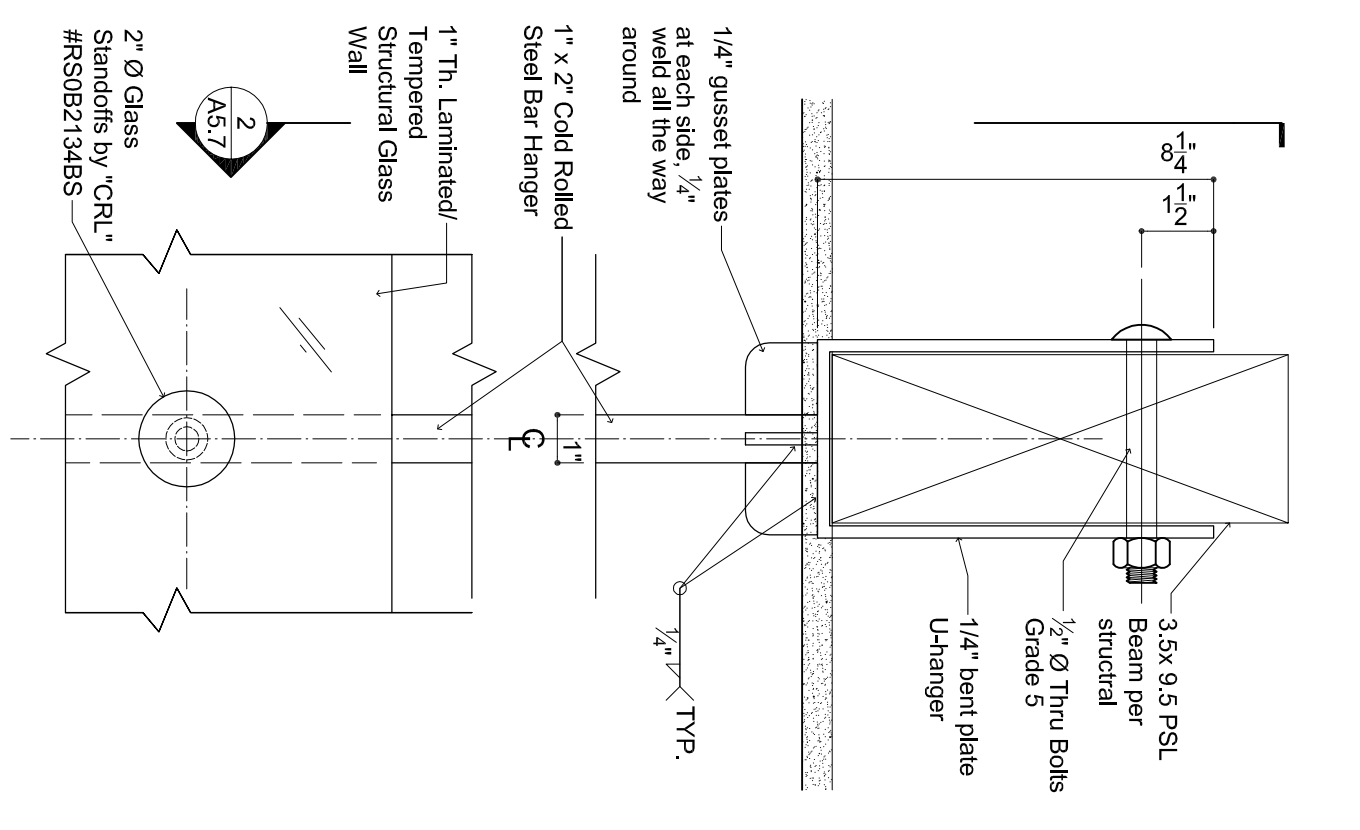
- TO ROOF ACCESS
EL. +40'-0"
- T.O. PLYWOOD
EL. +38'-11"
- FIN. LANDING
EL. +28'-11"
- FIN. C.L.G.
EL. +28'-0"
- FIN. LANDING
EL. +28'-11"
- 2"Ø Glass Stand Off by
'CRL' #RS0B2134BS
Required
- Steel Tension Rods, 1"x2"
Plate with Standoffs As
Required
- Steel Support Column for
Landing per Structural
- Steel Support Bracket;
Size per detail (A5.7)
2 per Glass Panel
- 1/2" Open Joint, Where not
supported by the shelf
- FIN. FLOOR
EL. +18'-3-1/2"
- FIN. FLOOR
EL. +18'-0"
- Structural Glass Guardrail
- Steel Plate Landing
- Painted Gyp. Bd. Wall Beyond
Built-up Wood Platform



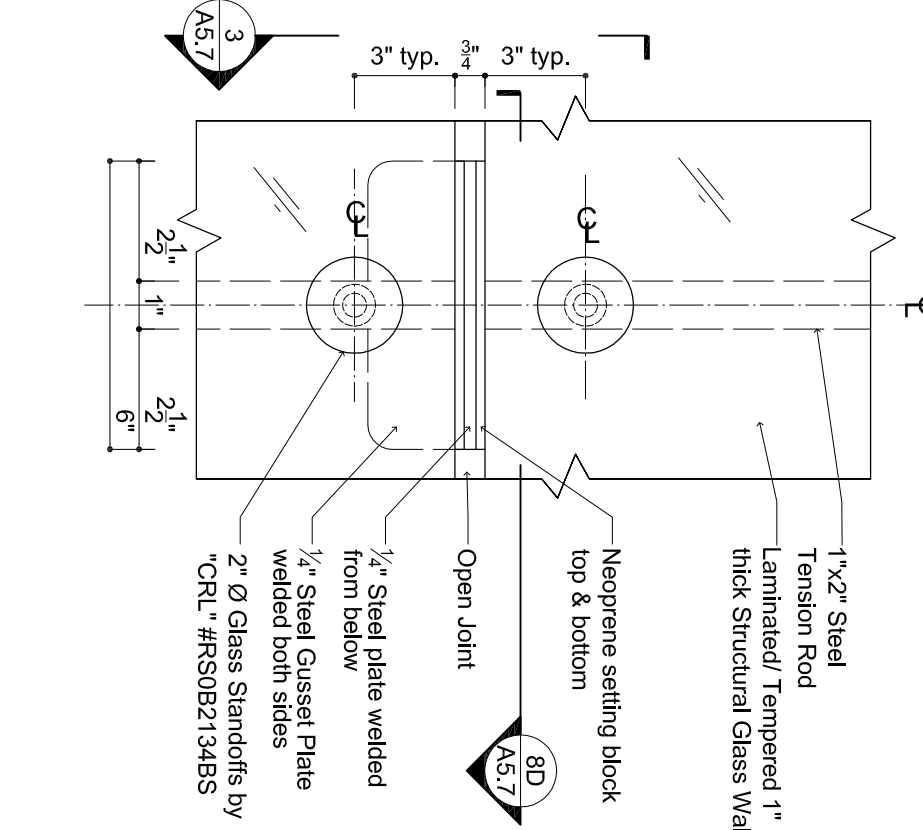
2 Typ. Attachment at Ceiling
3" = 1'-0"



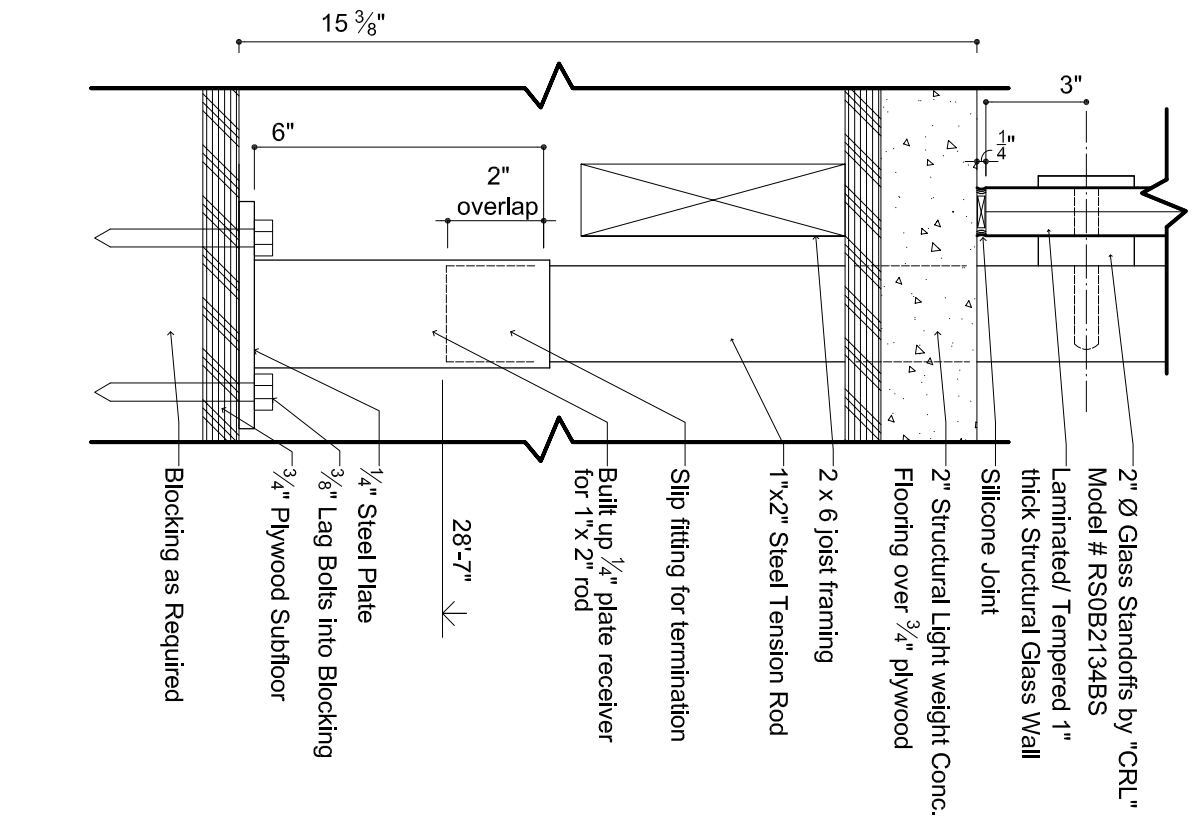
3 Typical Section Thru Glass Wall
3" = 1'-0"



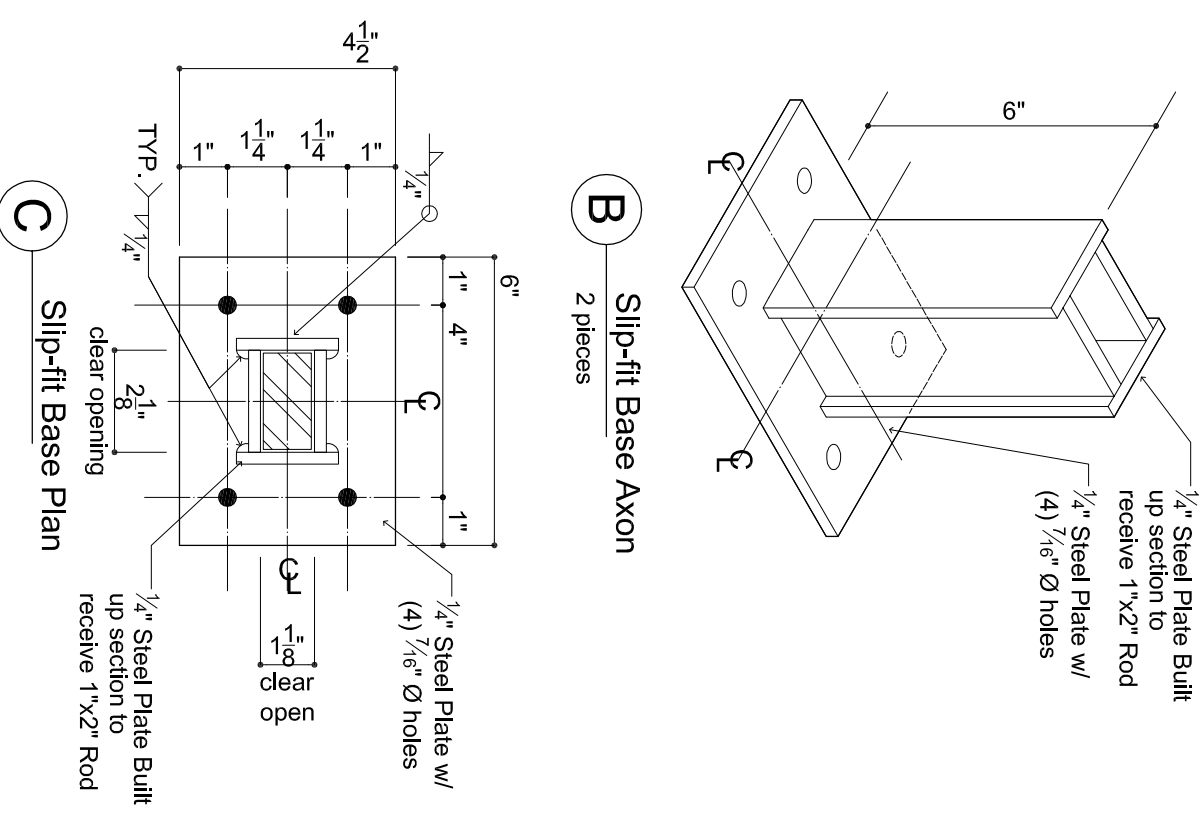
5 Typ. Attachment at Ceiling
3" = 1'-0"



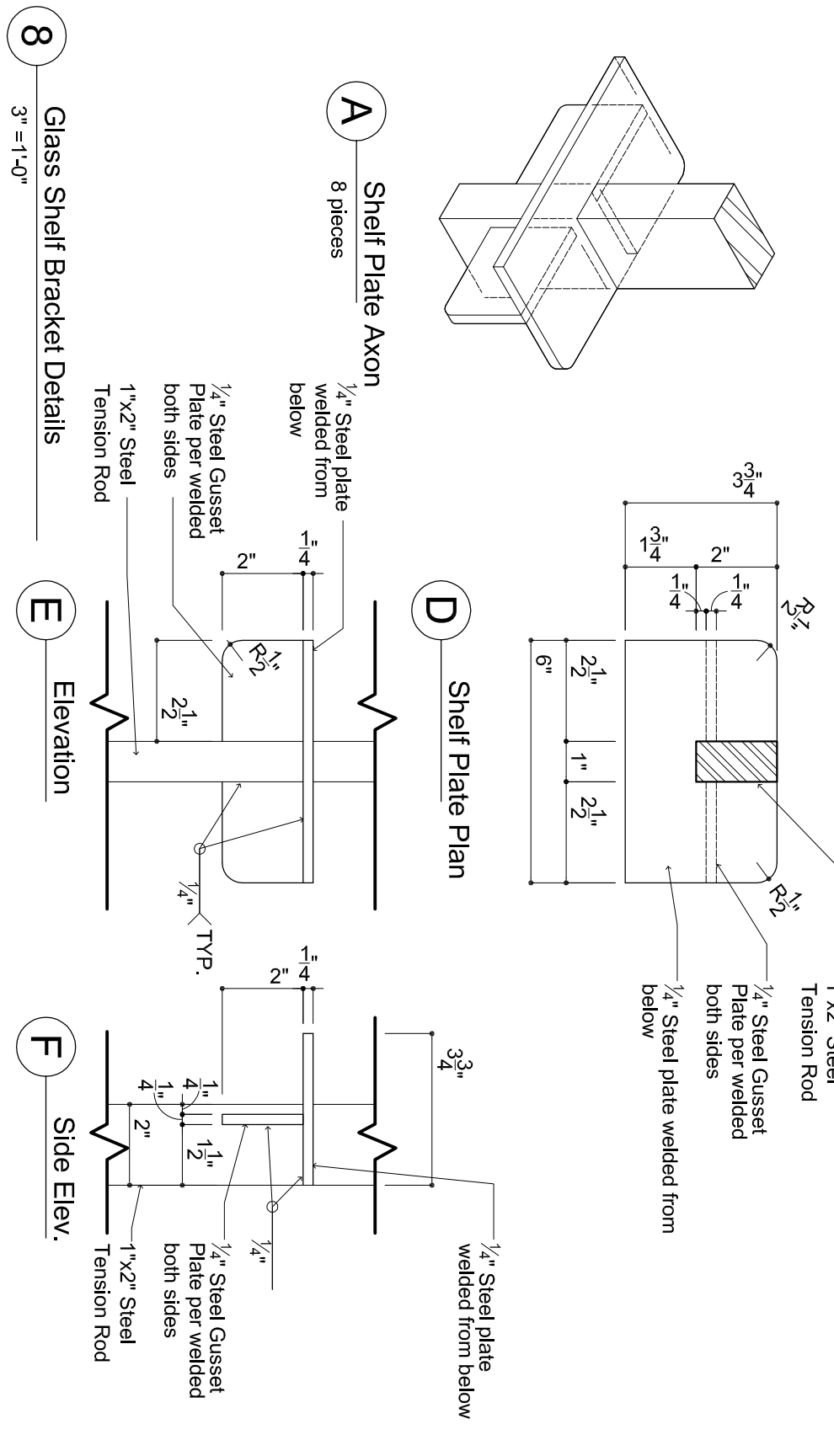
6 Glass Shelf Bracket Detail
3" = 1'-0"



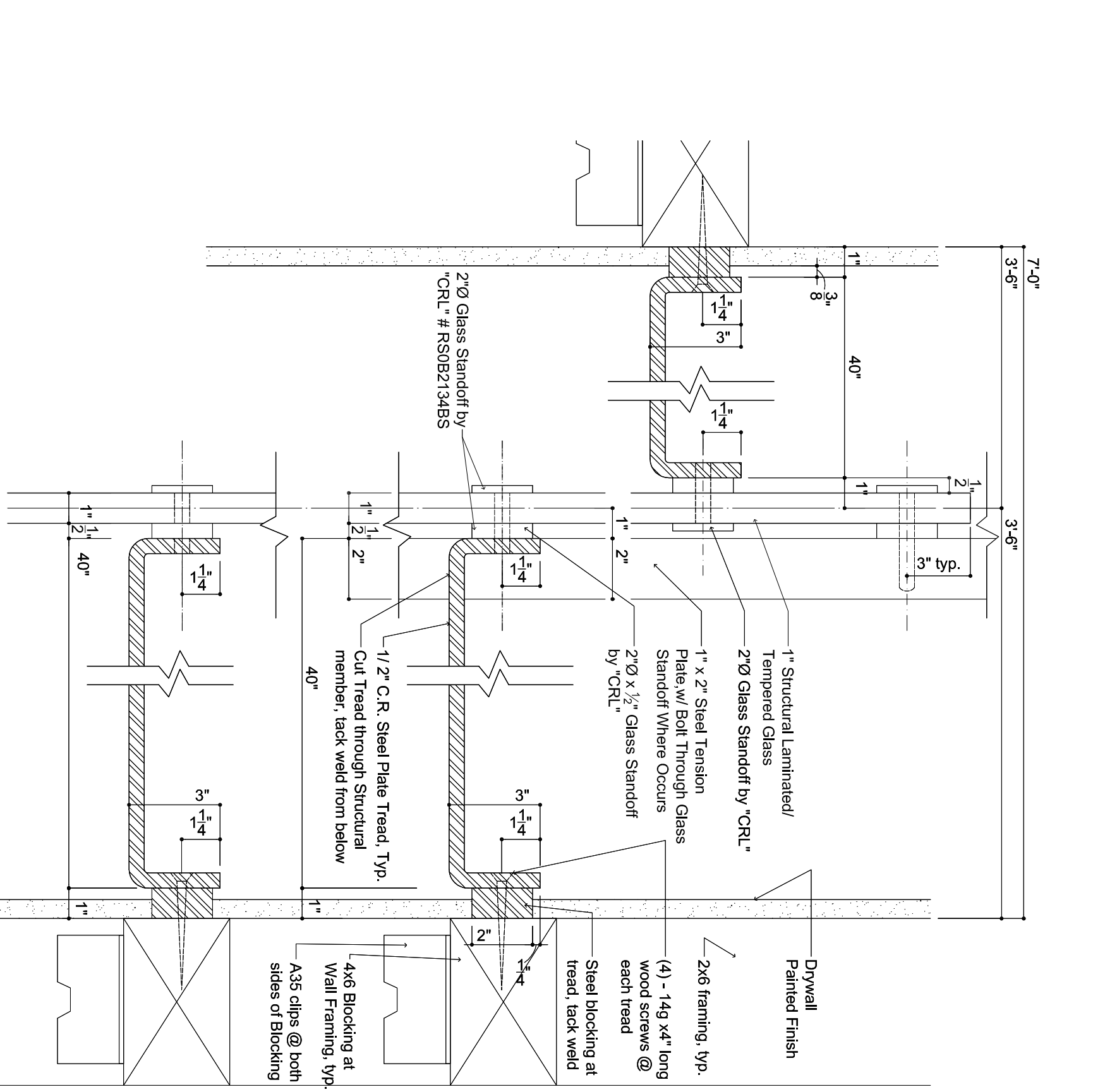
4 Section Thru Glass Wall Base
3" = 1'-0"



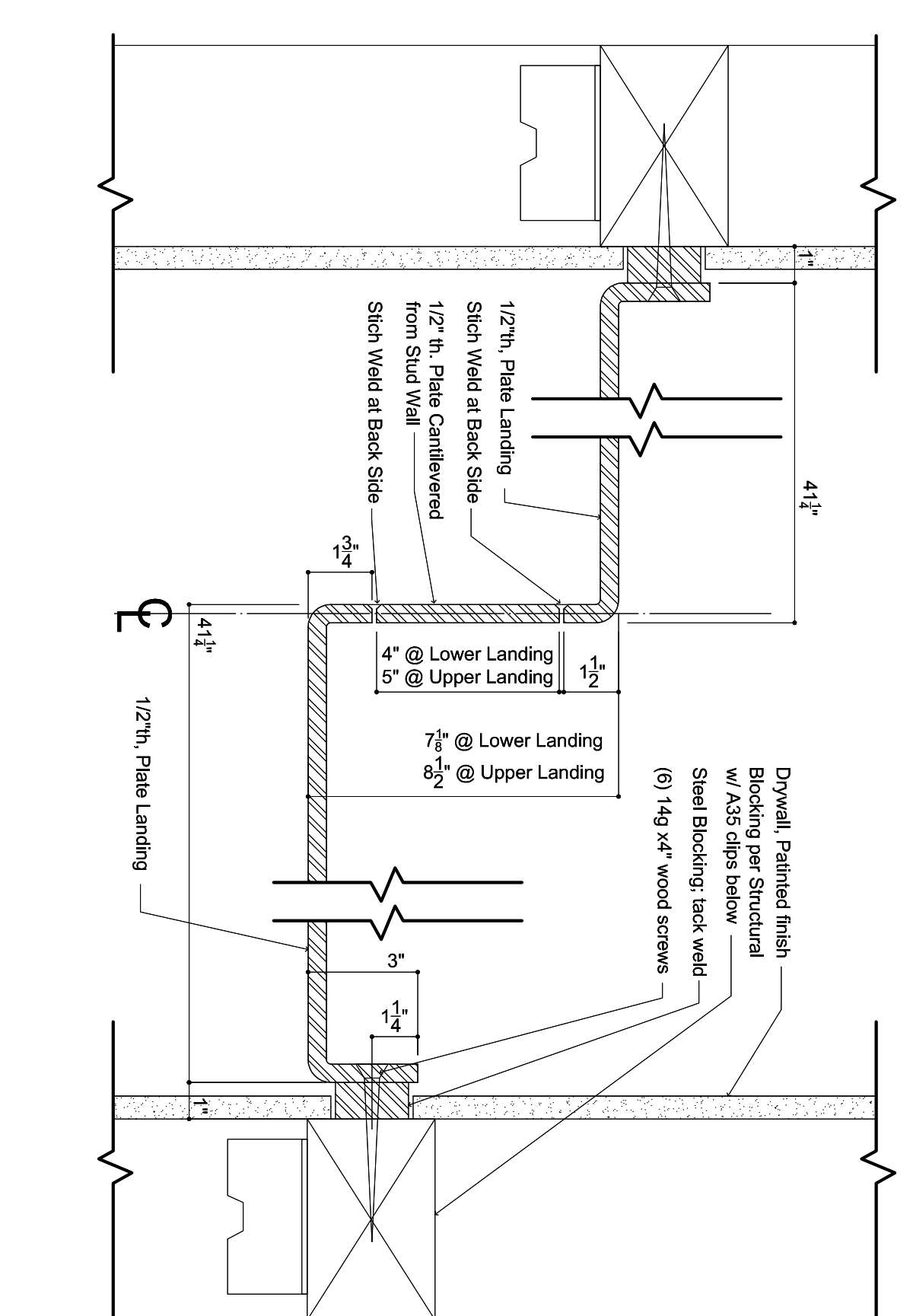
7 Glass Shelf Bracket Details
3" = 1'-0"



8 Glass Shelf Bracket Details
3" = 1'-0"



9 Typical Stair Tread Sections
3" = 1'-0"



12 Typical Stair Landing Section
3" = 1'-0"

| | | | |
|--|----------|---|----------|
| <p>Glen Irani Architects Inc. 410 Sherman Canal, Ventura, CA, 90291 giranai@giranai.com</p> | | <p>project: Amall Residence 2830 Strongs Dr., Ventura, CA, 90291</p> | |
| ISSUE / REVISION | DATE | ISSUE / REVISION | DATE |
| PLANCHICK SUBMITTAL | 09.19.06 | PLANCHICK SUBMITTAL | 09.19.06 |
| PLANCHICK RE-SUBMITTAL | 12.15.06 | PLANCHICK RE-SUBMITTAL | 12.15.06 |
| PLANCHICK PERMIT | 01.30.07 | PLANCHICK PERMIT | 01.30.07 |
| Road Access Addition | 11.20.07 | Road Access Addition | 11.20.07 |
| <p>Sheet no. A5.7</p> | | <p>Sheet title: STAIR DETAILS</p> | |
| <p>DRAWN BY: JRC JOB NUMBER: 05ARN010 SCALE: AS NOTED</p> | | <p>DESIGNED BY: JRC JOB NUMBER: 05ARN010 SCALE: AS NOTED</p> | |