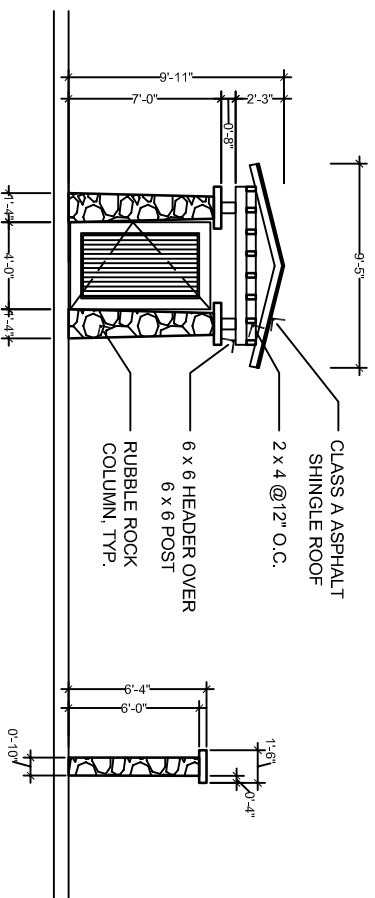
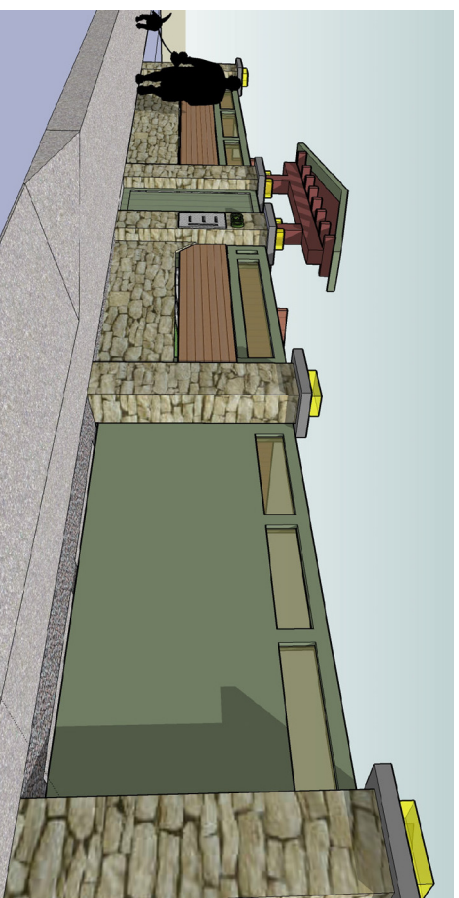


ENTRY GATE FROM BROADWAY AVE.

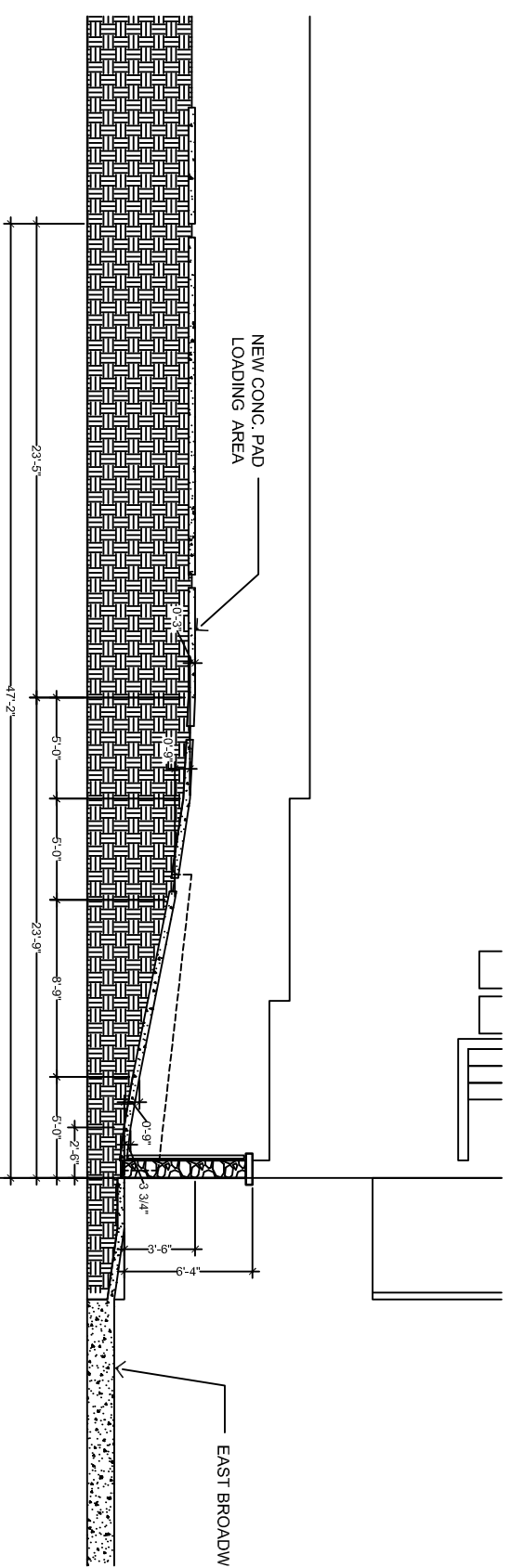


ENTRY STRUCTURE
1/4" = 1'-0"

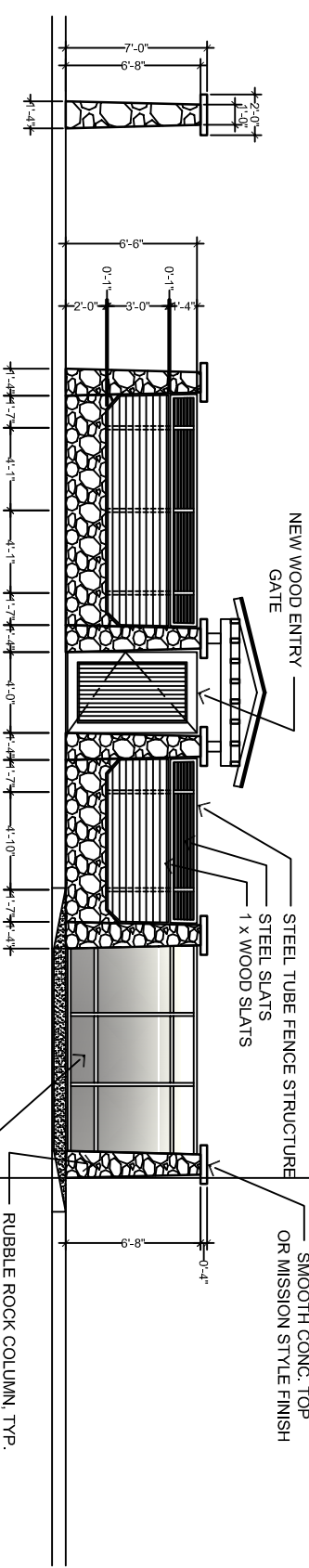
TYP. COLUMN
SIDE ELEV. 1/4" = 1'-0"



RENDERING OF FENCE FROM BROADWAY AVE.

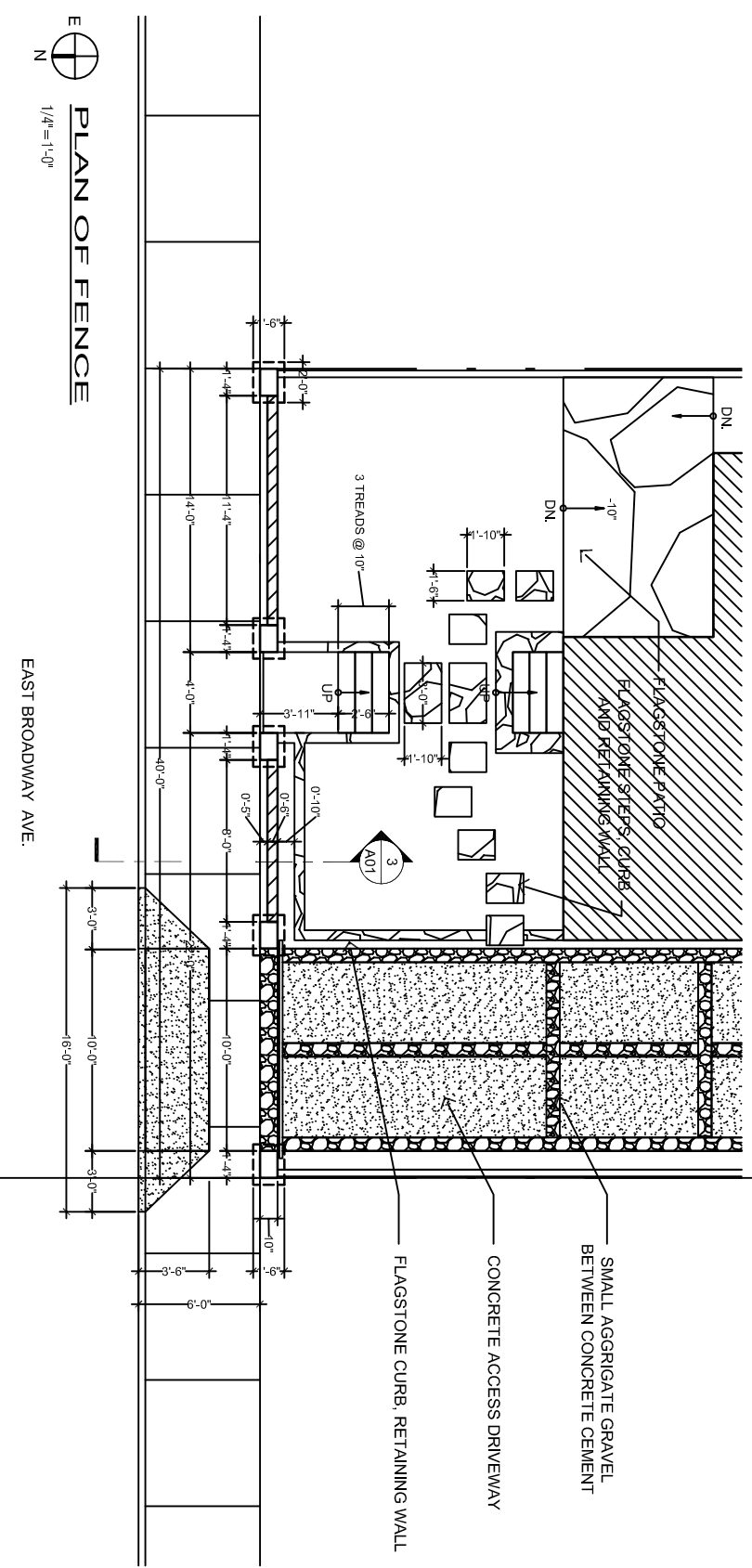


1 SECTION THROUGH LOADING BAY
1/4" = 1'-0"



TYP. COLUMN
FRONT/BACK ELEV. 1/4" = 1'-0"

2 ELEVATION OF FENCE
1/4" = 1'-0"



PLAN OF FENCE
1/4" = 1'-0"

EAST BROADWAY AVE.

REVISIONS	BY

630 EATS BROADWAY - FENCE REMODEL
VENICE CA, 90291 - Lot 15 BLOCK L
EXTERIOR ELEVATIONS, SECTION, FENCE PLAN
 1/4" = 1'-0"

DRAWN	K.P.E.
CHECKED <td>K.P.E.</td>	K.P.E.
DATE <td>07/11/07</td>	07/11/07
SCALE <td>AS NOTED</td>	AS NOTED
JOB NO. <td>Z007/04</td>	Z007/04
SHEET <td>A01</td>	A01